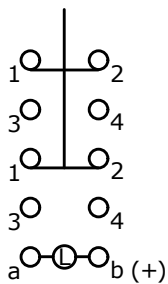


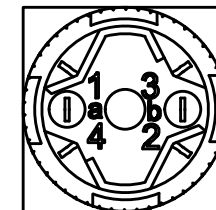
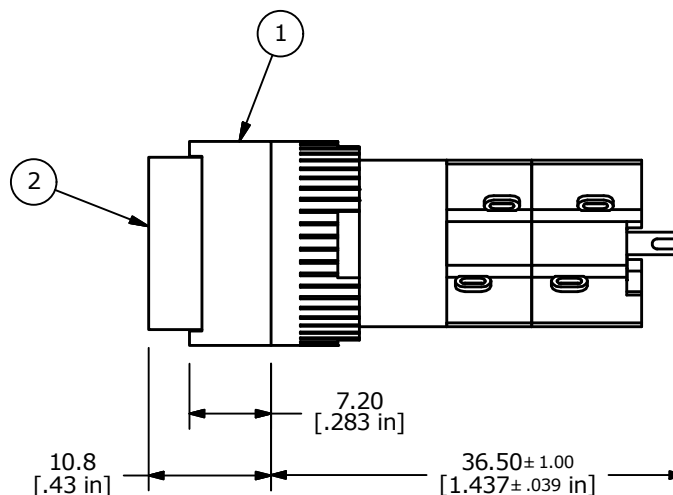
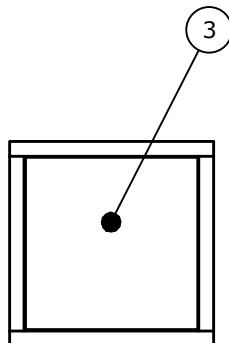
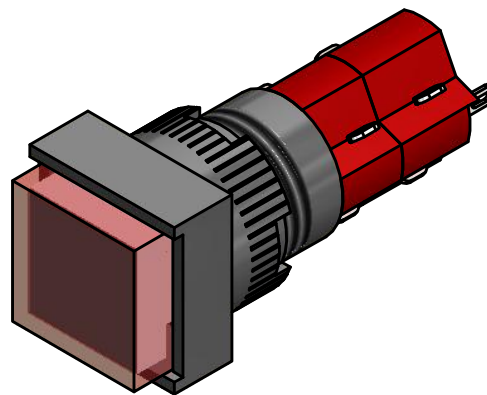
PANEL MOUNTING



DPST
CONTACT CONFIGURATION

NOTE:

1. ALL DIMENSIONS IN MM [INCH]
2. GENERAL TOLERANCE: X.X=±0.4
X.XX=±0.25
3. TERMINAL NUMBERS FOR REF ONLY
4. RATING: 5A @ 250 VAC
6A @ 24 VDC
8A @ 125 VAC
5. ELECTRIC LIFE: 50,000 CYCLES
6. INSULATION RESISTANCE: 1,000 MΩ MIN.
7. OPERATING TEMP.: -20°C to 55°C
- ▲ 8. LAMP VOLTAGE: 6V AC / DC 200mA
9. ▲ DENOTES CRITICAL PARAMETER.
10. 2011/65/EU (ROHS) COMPLIANT.
11. PANEL THICKNESS: 0.5-5.0mm
12. FULL TRAVEL: 3.0mm
13. SEAL RATING: IP40



PARTS LIST			
ITEM	QTY	PART NUMBER	DESCRIPTION
1	1	F040031	D16OAS12
2	1	F050314	50-003-14 TRANSPARENT FLAT RED LENS
3	1	F050402	50-004-02, INC, 6V AC/DC 200mA



A	22332	NEW RELEASE	5/31/16	MJR
REV	PCR NO	DESCRIPTION	DATE	BY

TITLE D16OAS12ARED				
SCALE 3:2	DATE 5/31/2016	DR MJR	DWG XF0907P	REV A

THE INFORMATION CONTAINED IN THIS DOCUMENT IS PROPRIETARY TO E-SWITCH AND IS NOT TO BE COPIED OR TRANSFERRED